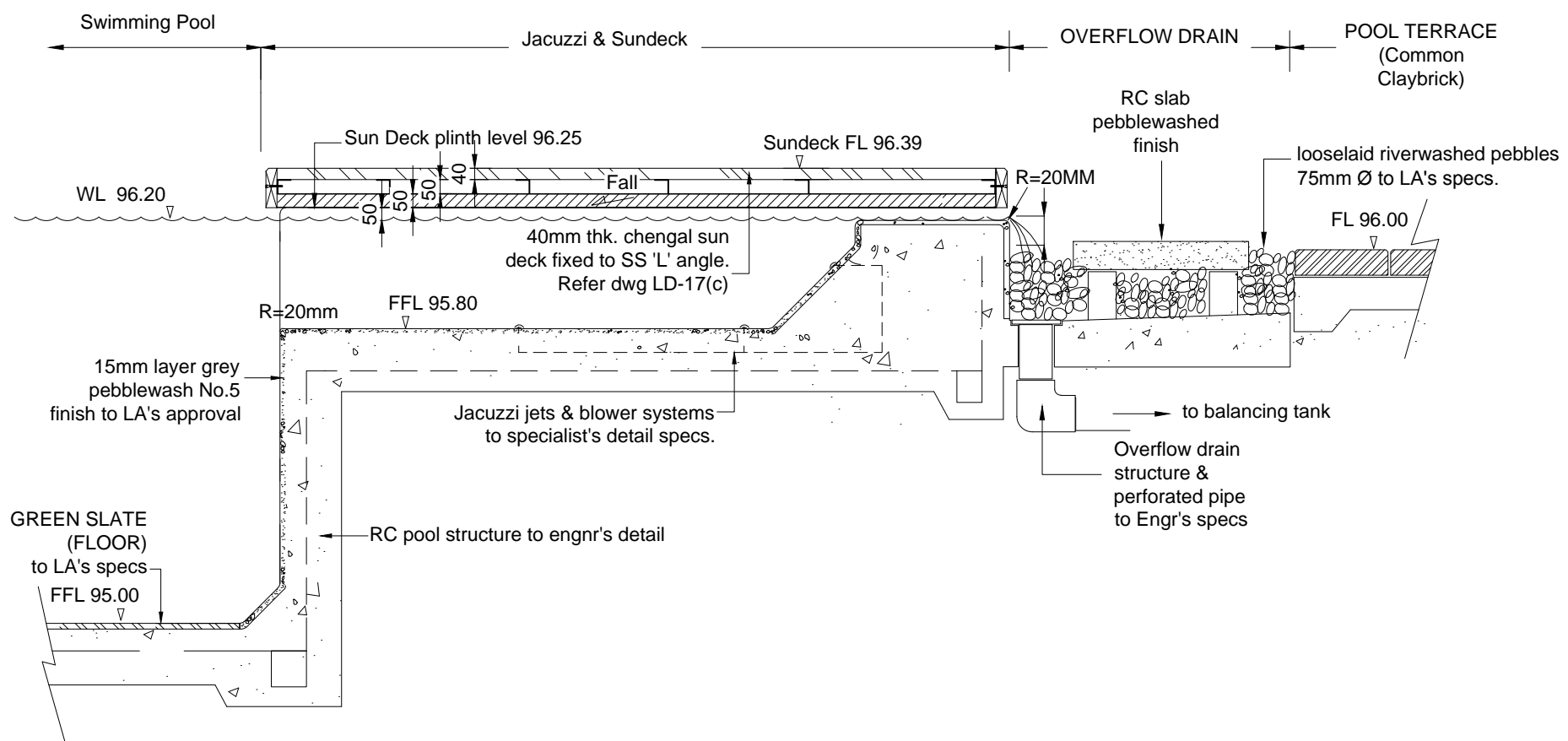


SECTION A-A
Scale 1:25

a **CROSS-SECTION: TYPICAL JACUZZI & SUNDECK**



SECTION B
Scale 1:25

b **SECTION: TYPICAL JACUZZI & OVERFLOW DRAIN**