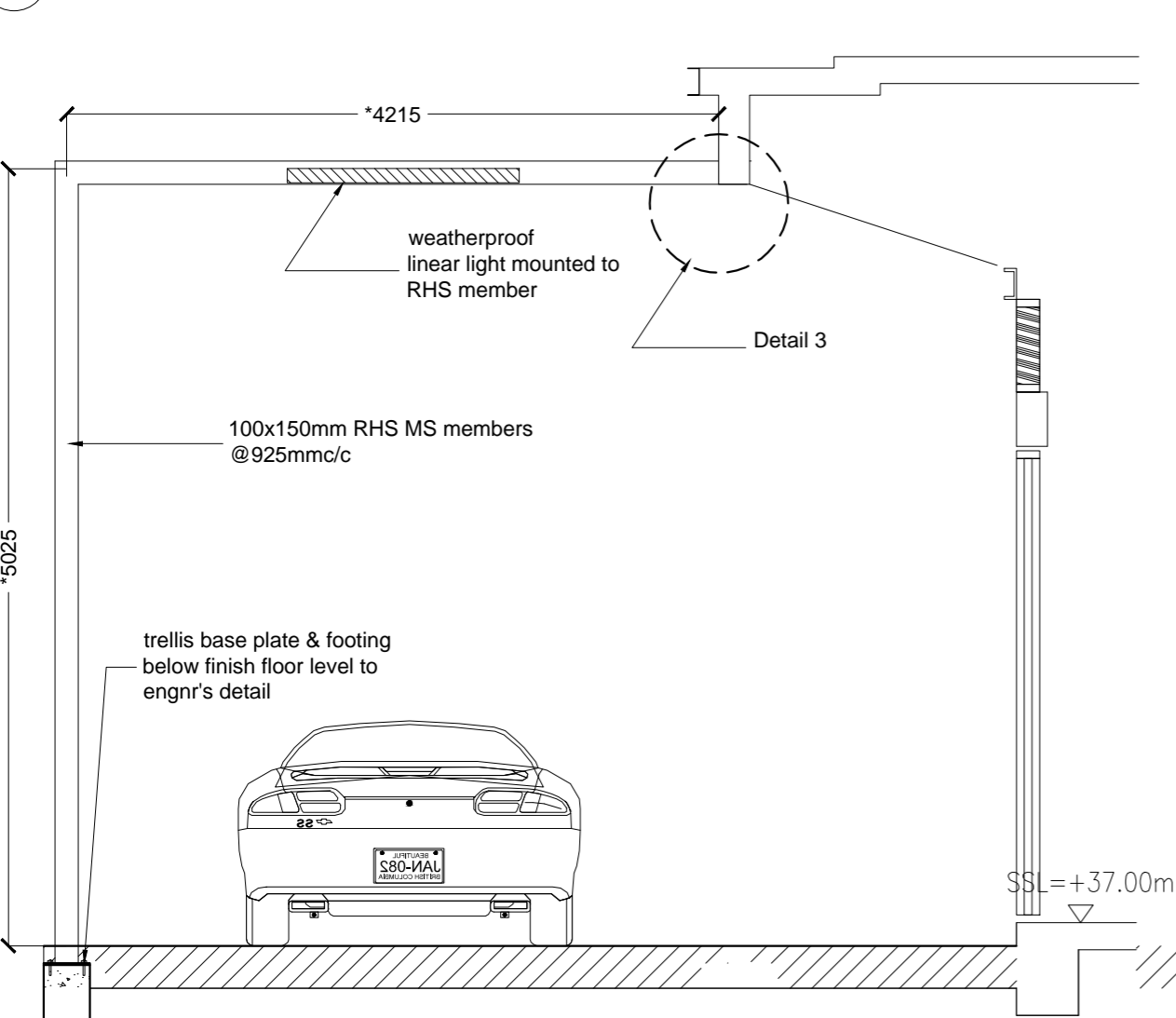
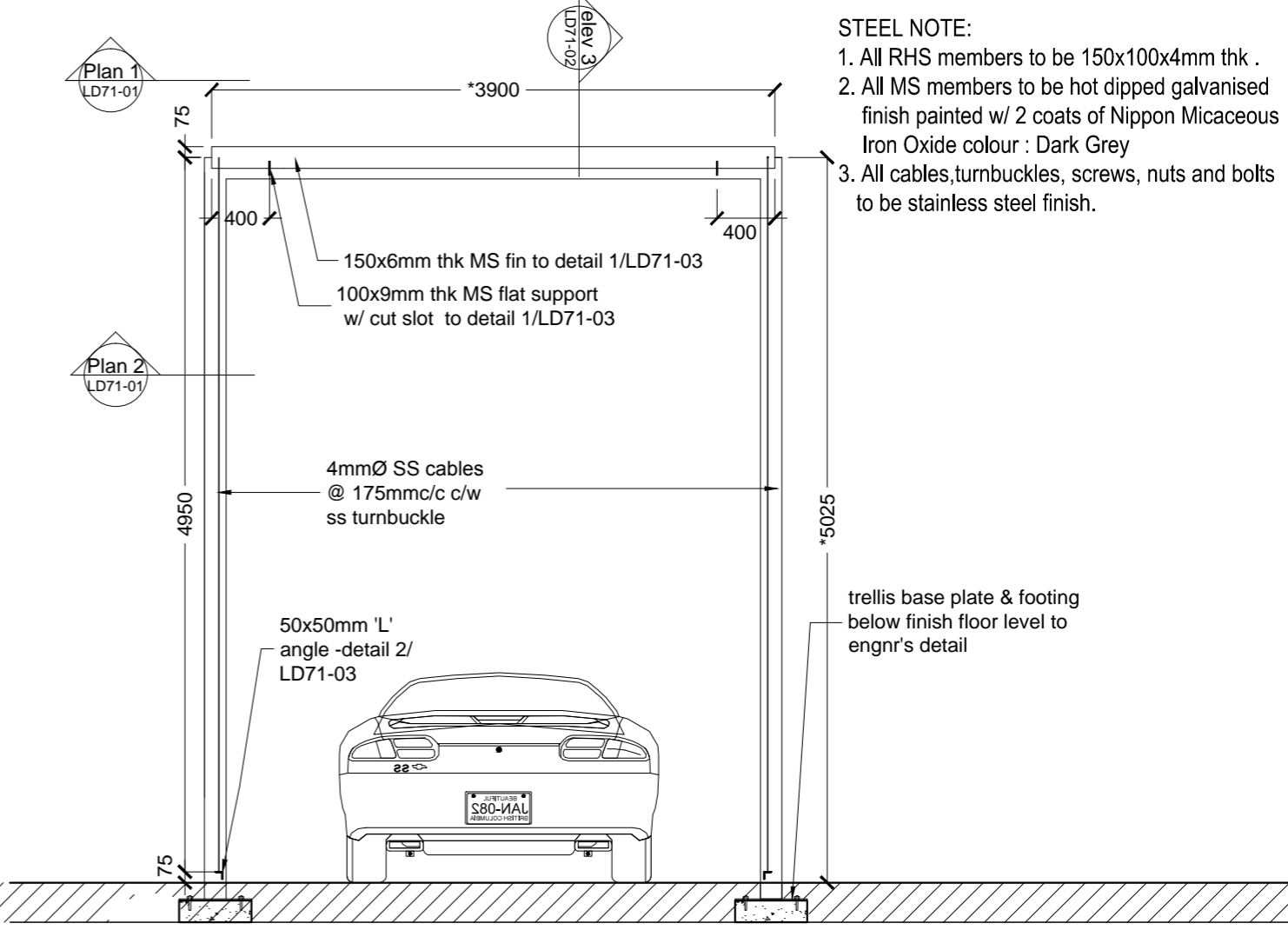


3 Typical Trellis Section Elevation
Scale 1:75



4 Typical Trellis Section
Scale 1:50



5 Typical Trellis Section
Scale 1:50

- STEEL NOTE:**
- All RHS members to be 150x100x4mm thk .
 - All MS members to be hot dipped galvanised finish painted w/ 2 coats of Nippon Micaceous Iron Oxide colour : Dark Grey
 - All cables, turnbuckles, screws, nuts and bolts to be stainless steel finish.